

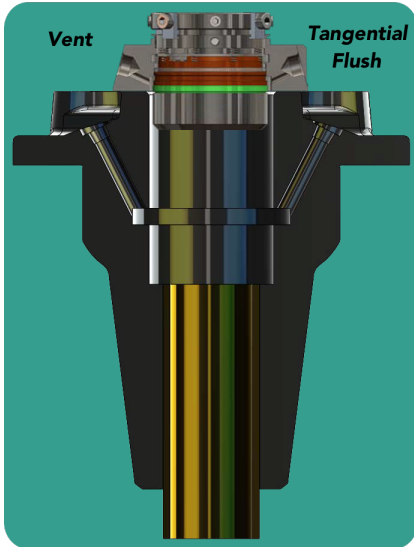
# IPM 99 CARTRIDGE SEAL


## BALANCED SINGLE MECHANICAL SEAL

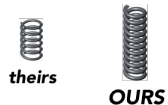
The IPM 99 Balanced Single Cartridge Mechanical Seal is uniquely designed to improve reliability in vertical turbine applications


- TUNGSTEN CARBIDE FACES / 316SS / VITON Standard
- MICRO-POLISHED SURFACES reduce solids build-up and drag
- JUMBO SPRINGS reduce fatigue and allow for greater axial travel
- FLOATING STATOR DESIGN assures proper face alignment


 TUNGSTEN CARBIDE FACES  
Hard faces offer longer wear life



 MICRO-POLISHED SURFACES  
Polished o-ring running surfaces eliminate most o-ring issues



 JUMBO SPRINGS  
Reduce fatigue, allow for greater axial travel turbines produce, reduce clogging issues, prohibit chloride stress corrosion

 FLOATING STATOR DESIGN  
Allows the sealing faces to pivot and align perfectly even under adverse shaft run out conditions

 **INTEGRITY**  
PUMP & MOTOR  
GROUP, LLC